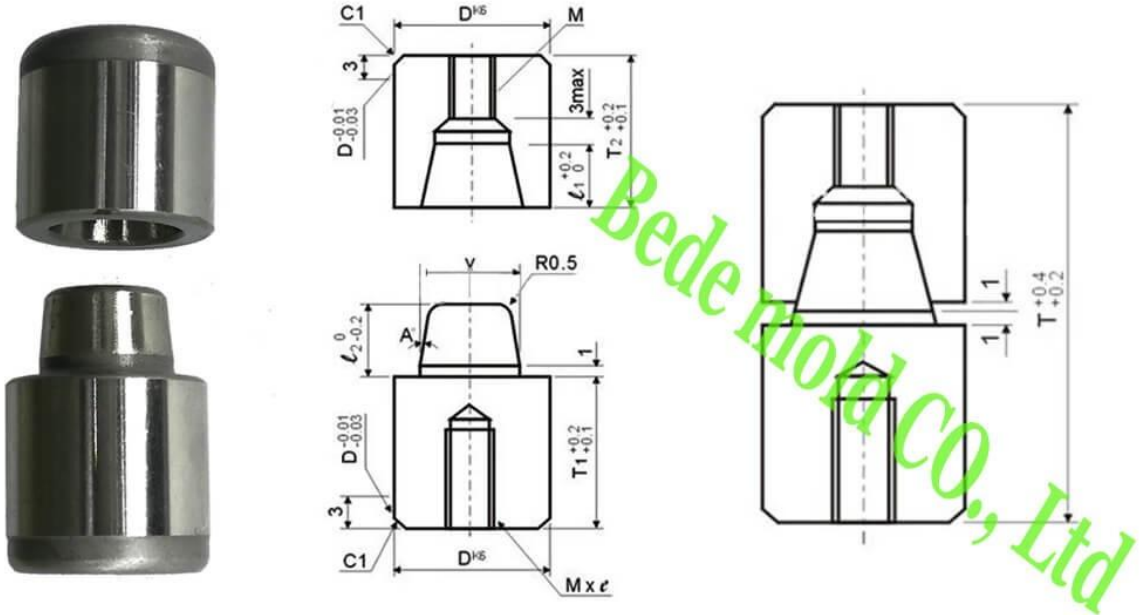


Shenzhen Bede Mold CO.,Ltd

Factory Address:98 Industrial Area,Zhongxin Rd.,Xinqiao Street,Bao'an District, Shenzhen, China
Office Phone:+8675527084976 Mobile:+8615989309421 Email:kerrykim@szbede.com contact: kerry kim

The taper interlocks is precise positioning or introduction mechanism , be installed around the mold cavity, and the core is accurately positioned when the moving mold and the fixed mold are aligned, which can reduce internal parts and cavity wear



DK6		T/mm	T1/T2	M*ℓ	A	V/mm	L1/mm	L2/mm
16	+0.012 +0.001	30	14	M5×10	5°	10	5	6
20	+0.015 +0.002	40	19	M6×12		15	8	9
25		50	24	M8×16		16	11	12
30		60	29	M10×20		20	14	15
32	+0.018 +0.002	60	29				14	15